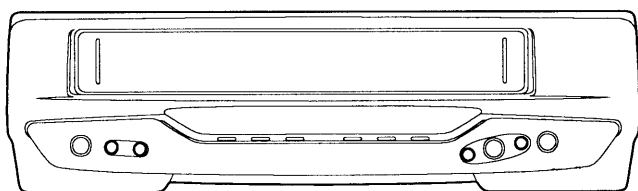


OWNER'S MANUAL

SYLVANIA

VIDEO CASSETTE PLAYER 6120PA



INSTRUCCIONES EN ESPAÑOL INCLUIDAS.

TABLE OF CONTENTS	
IMPORTANT SAFEGUARDS	2
PRECAUTIONS	4
LOCATION.....	4
AVOID THE HAZARDS OF ELECTRICAL SHOCK AND FIRE	4
DEW WARNING	4
FEATURES	5
SUPPLIED ACCESSORIES	5
OPERATING CONTROLS & FUNCTIONS	6
PREPARATION FOR USE	8
ANTENNA / CABLE CONNECTIONS	8
SETTING A VIDEO CHANNEL	9
INSTALLING THE BATTERIES.....	9
A/V TERMINALS	9
POWER CORD.....	10
VIDEO CASSETTE TAPE INFORMATION	11
PLAYBACK	12
NORMAL PLAYBACK	12
PICTURE SEARCH	12
STILL PICTURE	12
NOISE CANCEL (in the Still mode)	12
VERTICAL HOLD CONTROL.....	13
TRACKING ADJUSTMENT	13
AUTO REWIND	13
SPECIAL PLAYBACK	14
REPEAT PLAY	14
PICTURE SELECT	14
COPYING A VIDEO TAPE	15
TROUBLESHOOTING GUIDE	16
MAINTENANCE	16
SPECIFICATIONS	17
WARRANTY	Back Cover

If you need additional assistance for set-up or operating
after reading owner's manual, please call
TOLL FREE : 1-800-968-3429.

VHS

Please read before using this equipment.

WARNING:

TO REDUCE THE RISK OF FIRE OR ELECTRIC SHOCK, DO NOT EXPOSE THIS APPLIANCE TO RAIN OR MOISTURE.



CAUTION

RISK OF ELECTRIC SHOCK
DO NOT OPEN



CAUTION: TO REDUCE THE RISK OF ELECTRIC SHOCK, DO NOT REMOVE COVER (OR BACK). NO USER SERVICEABLE PARTS INSIDE. REFER SERVICING TO QUALIFIED SERVICE PERSONNEL.



The lightning flash with arrowhead symbol, within an equilateral triangle, is intended to alert the user to the presence of uninsulated "dangerous voltage" within the product's enclosure that may be of sufficient magnitude to constitute a risk of electric shock to persons.



The exclamation point within an equilateral triangle is intended to alert the user to the presence of important operating and maintenance (servicing) instructions in the literature accompanying the product.

The caution marking is located on the rear of the cabinet.

IMPORTANT SAFEGUARDS

- 1. Read instructions**-All the safety and operating instructions should be read before the appliance is operated.
- 2. Retain Instructions**-The safety and operating instructions should be retained for future reference.
- 3. Heed Warnings**-All warnings on the appliance and in the operating instructions should be adhered to.
- 4. Follow Instructions**-All operating and use instructions should be followed.
- 5. Cleaning**-Unplug this video product from the wall outlet before cleaning. Do not use liquid cleaners or aerosol cleaners. Use a damp cloth for cleaning.
EXCEPTION : A product that is meant for uninterrupted service and, that for some specific reason, such as the possibility of the loss of an authorization code for a CATV converter, is not intended to be unplugged by the user for cleaning or any other purpose, may exclude the reference to unplugging the appliance in the cleaning description otherwise required in item 5.
- 6. Attachments**-Do not use attachments not recommended by the video product manufacturer as they may cause hazards.
- 7. Water and Moisture**-Do not use this video product near water, for example, near a bath tub, wash bowl, kitchen sink, or laundry tub, in a wet basement, or near a swimming pool, and the like.
- 8. Accessories**-Do not place this video product on an unstable cart, stand, tripod, bracket, or table. The video product may fall, causing serious injury to a child or adult, and serious damage to the appliance. Use only with a cart, stand, tripod, bracket, or table recommended by the manufacturer, or sold with the video product. Any mounting of the appliance should follow the manufacturer's instructions and should use a mounting accessory recommended by the manufacturer. An appliance and cart combination should be moved with care. Quick stops, excessive force, and uneven surfaces may cause the ap-

PORTABLE CART WARNING
(Symbol provided by RETAC)

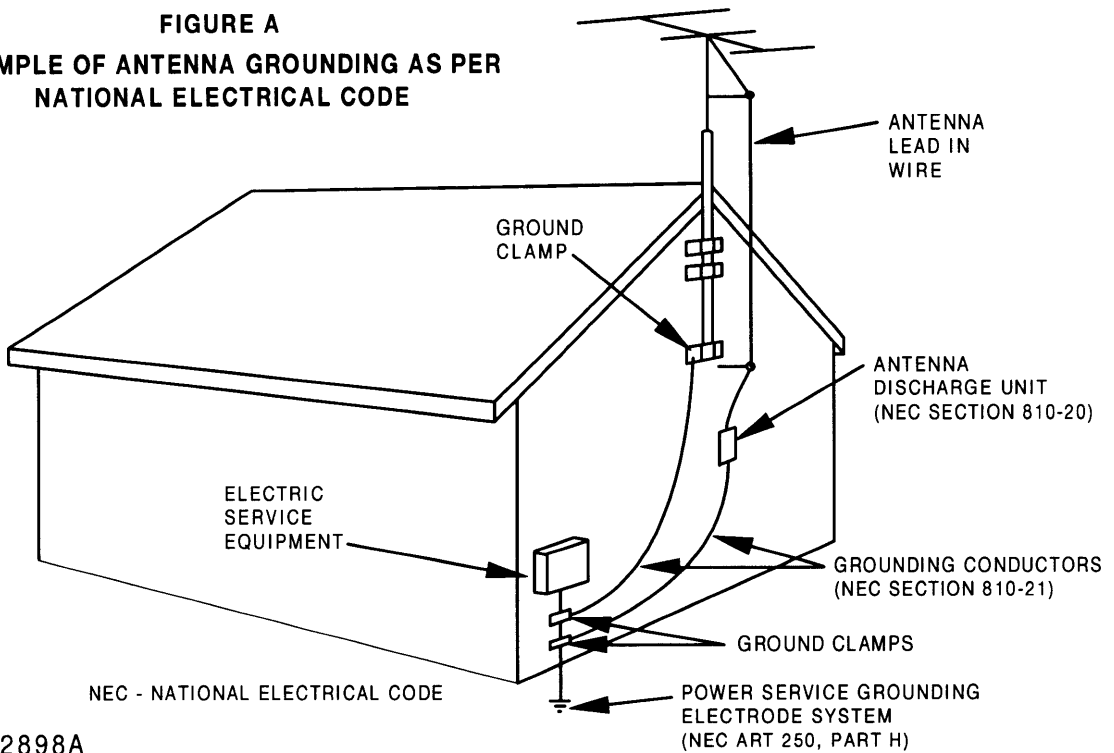


S3125A

pliance and cart combination to overturn.

- 9. Ventilation**-Slots and openings in the cabinet are provided for ventilation and to ensure reliable operation of the video product and to protect it from overheating, and these openings must not be blocked or covered. The openings should never be blocked by placing the video product on a bed, sofa, rug, or other similar surface. This video product should not be placed in a built-in installation such as a bookcase or rack unless proper ventilation is provided or the manufacturer's instructions have been adhered to .
- 10. Power Sources**-This video product should be operated only from the type of power source indicated on the marking label. If you are not sure of the type of power supply to your home, consult your appliance dealer or local power company. For products intended to operate from battery power, or other sources, refer to the operating instructions.
- 11. Grounding or Polarization**- This video product is equipped with a polarized alternating-current line plug (a plug having one blade wider than the other). This plug will fit into the power outlet only one way. This is a safety feature. If you are unable to insert the plug fully into the outlet, try reversing the plug. If the plug should still fail to fit, contact your electrician to replace your obsolete outlet. Do not defeat the safety purpose of the polarized plug.
- 12. Power Cord Protection**-Power supply cords should be routed so that they are not likely to be walked on or pinched by items placed upon or against them, paying particular attention to cords at plugs, convenience receptacles, and the point where they exit from the appliance.
- 13. Outdoor Antenna Grounding**-If an outside antenna or cable system is connected to the video product, be sure the antenna or cable system is grounded so as to provide some protection against voltage surges and built-up static charges. Article 810 of the National Electrical Code, ANSI/NFPA No. 70, provides information with regard to proper grounding of the mast and supporting structure, grounding of the lead-in wire to an antenna discharge unit, size of grounding conductors, location of antenna-discharge unit, connection to grounding electrodes, and requirements for the grounding electrode. (Fig. A)

FIGURE A
EXAMPLE OF ANTENNA GROUNDING AS PER
NATIONAL ELECTRICAL CODE



S2898A

14. Lightning-For added protection for this video product during a lightning storm, or when it is left unattended and unused for long periods of time, unplug it from the wall outlet and disconnect the antenna or cable system. This will prevent damage to the video product due to lightning and power-line surges.

15. Power Lines-An outside antenna system should not be located in the vicinity of overhead power lines or other electric light or power circuits, or where it can fall into such power lines or circuits. When installing an outside antenna system, extreme care should be taken to keep from touching such power lines or circuits as contact with them might be fatal.

16. Overloading-Do not overload wall outlets and extension cords as this can result in a risk of fire or electric shock.

17. Object and Liquid Entry-Never push objects of any kind into this video product through any openings as they may touch dangerous voltage points or short-out parts that could result in a fire or electric shock. Never spill liquid of any kind on the video product.

18. Servicing-Do not attempt to service this video product yourself as opening or removing covers may expose you to dangerous voltage or other hazards. Refer all servicing to qualified service personnel.

19. Damage Requiring Service-Unplug this video product from the wall outlet and refer servicing to qualified service personnel under the following conditions:

- When the power-supply cord or plug is damaged.
- If liquid has been spilled, or objects have fallen into the video product.
- If the video product has been exposed to rain or water.

- If the video product does not operate normally by following the operating instructions. Adjust only those controls that are covered by the operating instructions as an improper adjustment of other controls may result in damage and will often require extensive work by a qualified technician to restore the video product to its normal operation.
- If the video product has been dropped or damaged in any way.
- When the video product exhibits a distinct change in performance-this indicates a need for service.

20. Replacement Parts-When replacement parts are required, be sure the service technician has used replacement parts specified by the manufacturer or have the same characteristics as the original part. Unauthorized substitutions may result in fire, electric shock or other hazards.

21. Safety Check-Upon completion of any service or repairs to this video product, ask the service technician to perform safety checks to determine that the video product is in proper operating condition.

22. Heat-This video product should be situated away from heat sources such as radiators, heat registers, stoves, or other products (including amplifiers) that produce heat.

PRECAUTIONS

LOCATION

For safe operation and optimum performance of the VCP, keep the following in mind when selecting a place for its installation:

- Shield it from direct sunlight and keep it away from sources of intense heat.
- Avoid dusty or humid places.
- Avoid places with insufficient ventilation for proper heat dissipation. Do not block the ventilation holes on the top or bottom of the VCP. Do not place the unit on a carpet because this will block the ventilation holes on the bottom of VCP.
- Install unit in a horizontal position.
- Avoid locations subject to strong vibration.
- Do not place the VCP near strong magnetic fields.
- Avoid moving VCP to locations where temperature differences are extreme.
- Do not place the VCP directly on top of the TV.

AVOID THE HAZARDS OF ELECTRICAL SHOCK AND FIRE

- Do not handle the power cord with wet hands.
- Do not pull on the power cord when disconnecting it from AC wall outlet. Grasp it by the plug.
- If, by accident, water is spilled on the VCP, unplug the power cord immediately and take the unit to our Authorized Service Center for servicing.
- Do not put your fingers or objects into the cassette holder.
- Do not place anything directly on top of the VCP.

DEW WARNING

Moisture condensation may occur inside the unit when it is moved from a cold place to a warm place, or after heating a cold room or under conditions of high humidity. In this case, the POWER indicator flashes. Do not use the VCP at least for 2 hours until its inside is dry.

The serial number of this product may be found on the back of the VCP. No other VCP has the same serial number as yours. You should record the number and other vital information here and retain this book as a permanent record of your purchase to aid identification in case of theft. Serial numbers are not kept on file.

Date of Purchase	
Dealer Purchase from	
Dealer Address	
Dealer Phone No.	
Model No.	
Serial No.	

FCC WARNING- This equipment may generate or use radio frequency energy. Changes or modifications to this equipment may cause harmful interference unless the modifications are expressly approved in the instruction manual. The user could lose the authority to operate this equipment if an unauthorized change or modification is made.

CAUTION: TO PREVENT ELECTRIC SHOCK, MATCH WIDE BLADE OF PLUG TO WIDE SLOT, FULLY INSERT.

ATTENTION: POUR ÉVITER LES CHOC ÉLECTRIQUES, INTRODUIRE LA LAME LA PLUS LARGE DE LA FICHE DANS LA BORNE CORRESPONDANTE DE LA PRISE ET POUSSER JUSQU'AU FOND.

IMPORTANT COPYRIGHT INFORMATION

Unauthorized recording or use of broadcast television programming, video tape, film or other copyrighted material may violate applicable copyright laws. We assume no responsibility for the unauthorized duplication, use, or other acts which infringe upon the rights of copyright owners.

A NOTE ABOUT RECYCLING

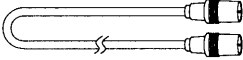


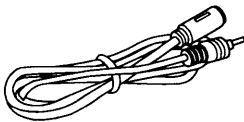
This product's packaging materials are recyclable and can be reused. Please dispose of any materials in accordance with your local recycling regulations.

Batteries should never be thrown away or incinerated but disposed of in accordance with your local regulations concerning chemical wastes.

FEATURES

- **Dew sensor**– Indicates that moisture condensation may occur inside the VCP.
- **Two-way power**– Allows you to power the VCP with a standard household AC outlet or your vehicle's cigarette-lighter socket using the supplied DC cable.
- **Auto power on and off system**– Automatically turns the VCP when you insert the cassette, turns off after auto-rewind, and ejects when the beginning of the tape is reached.
- **Auto play**– When you insert a pre-recorded tape or a tape which does not have the tab on the back edge of the cassette, the VCP starts playback automatically.
- **Auto repeat**– Allows you to repeat a tape indefinitely without pressing the PLAY button.
- **Digital auto tracking** – Automatically adjusts the tracking for each tape you play.
- **Auto head cleaner**– Automatically cleans the heads as you insert or remove a cassette.
- **Picture select mode**– Improves the playback picture quality of worn tapes, such as rental tapes.
- **2 Step picture search operation**– You can view a video program at a high speed or super high speed in either a forward or reverse direction in LP and SLP mode. (Super high speed is available in LP and SLP mode only.)
- **Still**– "Freeze" the picture at any time, for close viewing of a particular scene. Only tapes recorded in SLP mode will show a fairly clear picture.
- **Three different tape speeds : SP/LP/SLP**

SUPPLIED ACCESSORIES

<p>Coaxial Cable</p>  <p>PART NO. (WPZ0102LG006/ WPZ0102BB001)</p>	<p>Remote Control Unit</p>  <p>PART NO. (N9032UD)</p>	<p>Batteries (AA × 2)</p> 	<p>DC Cable</p>  <p>PART NO. (WX1H5048-001/ WXZ0202GA004)</p>
--	--	---	--

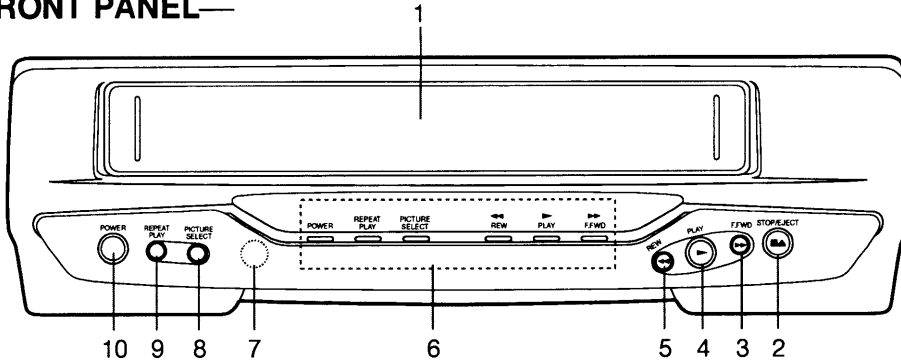
- If you need to replace these accessories, please refer to the PART NO. under the illustrations and call 1-800-968-3429.
- **We do not recommend the use of universal remote controls. Not all of the functions may be controlled with a universal remote control.**
If you decide to use a universal remote control with this unit, please be aware that the code number given may not operate this unit. In this case, please call the manufacturer of the universal remote control.

OPERATING CONTROLS & FUNCTIONS

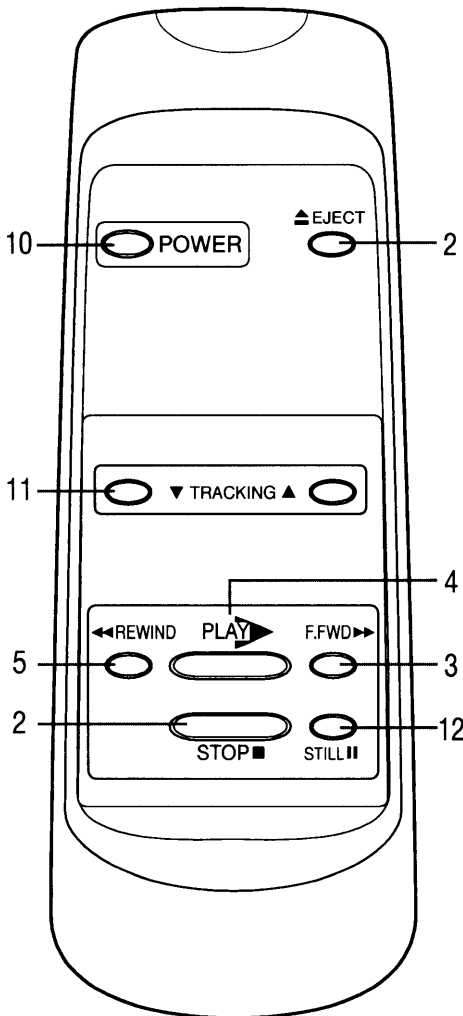
NOTE:

We do not recommend the use of universal remote controls. Not all of the functions may be controlled with a universal remote control. If you decide to use a universal remote control with this unit, please be aware that the code number given may not operate this unit. In this case, please call the manufacturer of the universal remote control.

—VCP FRONT PANEL—



—REMOTE CONTROL—



1. Cassette Compartment

2. STOP button— Press to stop the tape motion.

EJECT button— Press to remove tape from VCP.

3. F.FWD button— Press to rapidly advance the tape, or view the picture rapidly in forward during playback. (Forward Search)

4. PLAY button— Press to begin playback.

5. REWIND button— Press to rewind the tape, or to view the picture rapidly in reverse during the playback mode. (Rewind Search)

6. INDICATORS

- **PLAY**— Lights on during playback.
- **F.FWD**— Lights on during fast forwarding a tape.
- **REW**— Lights on during rewinding a tape.
- **PICTURE SELECT**— Lights on when the PICTURE SELECT is activated.
- **REPEAT PLAY**— Lights on when the Repeat Playback is activated.
- **POWER**— Indicates that the power is turned on. Flashes when the dew sensor works.

7. Remote sensor window— Receives the infrared signals from the remote control.

8. PICTURE SELECT button— Press to improve the playback picture quality of rental tapes.

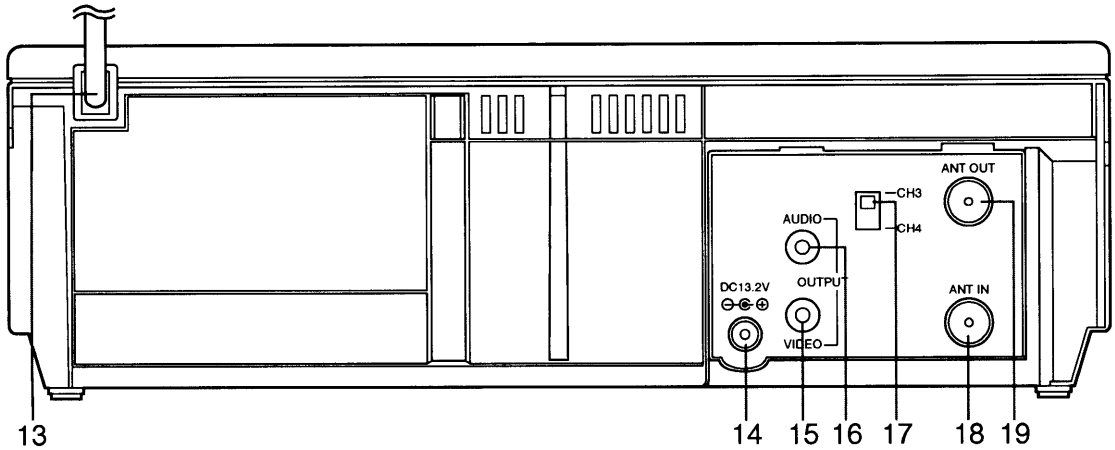
9. REPEAT PLAY button— Press to repeat playback automatically.

10. POWER button— Press to turn VCP on and off.

11. TRACKING buttons— Press to minimize video noise (lines or dots on screen) during playback.

12. STILL button— Press to temporarily view a still picture during playback.

—REAR VIEW—



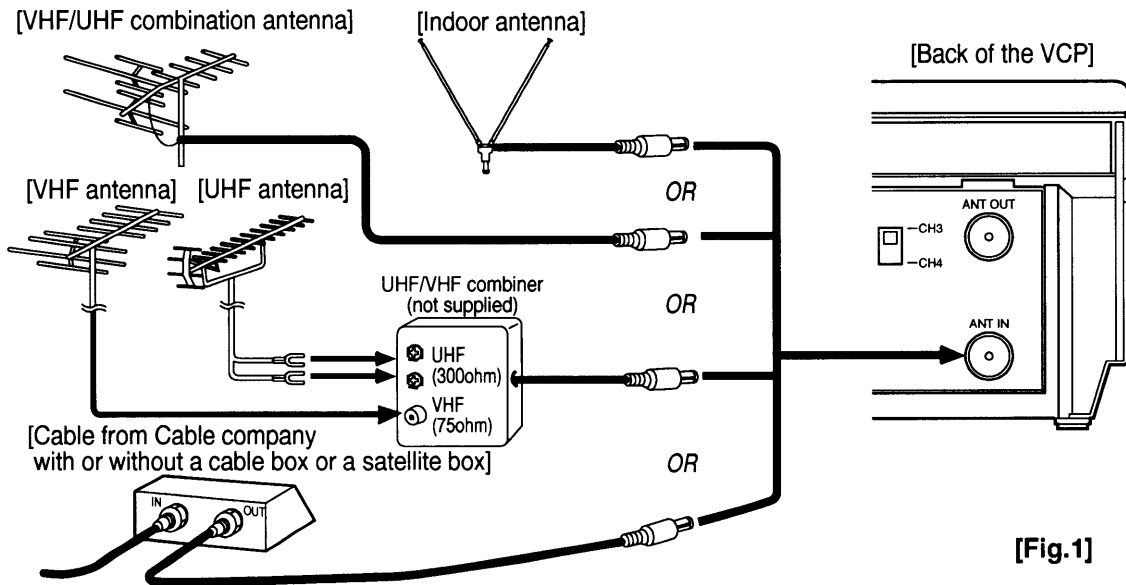
- 13. **Power cord**– Connect to a standard AC outlet (120V/60Hz).
- 14. **DC 13.2V jack**– Connect to your vehicle’s cigarette-lighter socket.
- 15. **VIDEO OUTPUT jack**– Connect to the video input jack of your TV, video camera or a VCR.
- 16. **AUDIO OUTPUT jack**– Connect to the audio input jack of your TV, audio equipment or a VCR.
- 17. **CH3/CH4 selector switch**– Use to select a video output channel (3 or 4) for VCP playback.
- 18. **ANT IN terminal**– Connect to an antenna or CATV.
- 19. **ANT OUT terminal**– Connects to the antenna input terminal on your TV.

PREPARATION FOR USE

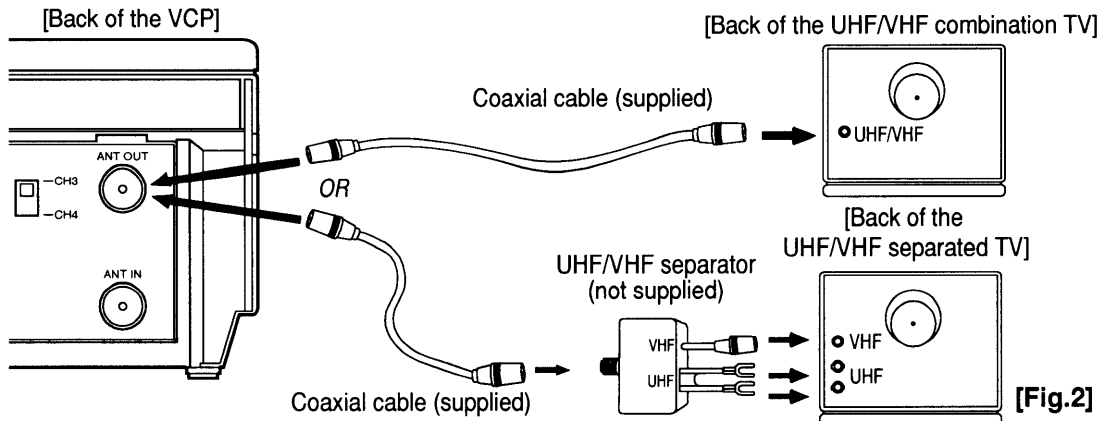
ANTENNA / CABLE CONNECTIONS

For some of the most common types of connections, please follow the drawings below for most types of connection. Use only one connection. For any further complex connections, please contact your local dealer or other qualified persons. (You may need additional accessories which are not supplied).

- 1** Disconnect the antenna or cable from your TV.
- 2** Connect the antenna or cable to the ANT.IN jack of the VCP.



- 3** Connect one end of the coaxial cable (supplied) to the ANT.OUT jack of the VCP.
- 4** Connect the other end of the coaxial cable (supplied) to the UHF/VHF antenna jacks.



Note to CATV system installer

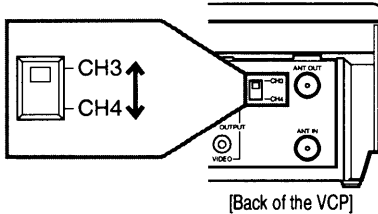
This reminder is provided to call the CATV system installer's attention to Article 820-40 of the NEC that provides guidelines for proper grounding and, in particular, specifies that the cable ground shall be connected to the grounding system of the building, as close to the point of cable entry as practical.

SETTING A VIDEO CHANNEL

If your TV does not have A/V terminals:

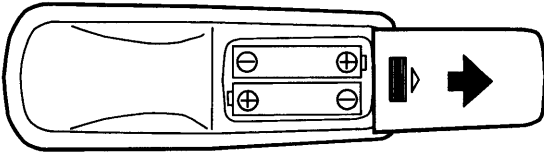
When the VCP is in the Playback mode, your TV will receive signals from the VCP on either channel 3 or 4.

To use the VCP with your TV, set the selector switch to CH3 or CH4, whichever is not used for normal broadcasts in your area. Then set your TV to the same channel.



INSTALLING THE BATTERIES

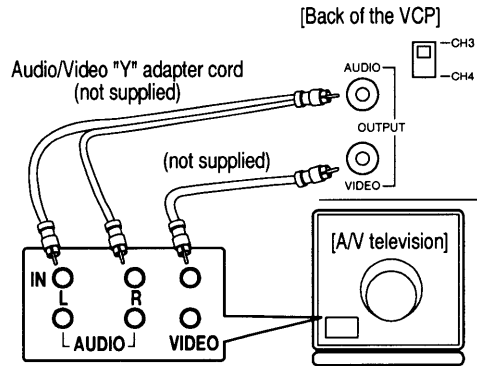
- 1) Open the battery compartment cover by pressing the cover on the remote unit in the direction of the arrow.
- 2) Insert 2 "AA" penlight batteries into the battery compartment in the direction indicated by the polarity (+/-) markings.
- 3) Replace the cover.



A/V TERMINALS

If your TV has A/V input jacks, you may connect the VCP's AUDIO/VIDEO OUTPUT jacks to the audio/video input jacks on back of your TV.

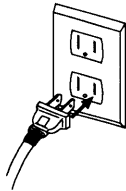
Direct audio/video connections usually result in a better picture and sound quality for tape playback. Please see your TV's owner's manual for A/V input connections.



POWER CORD

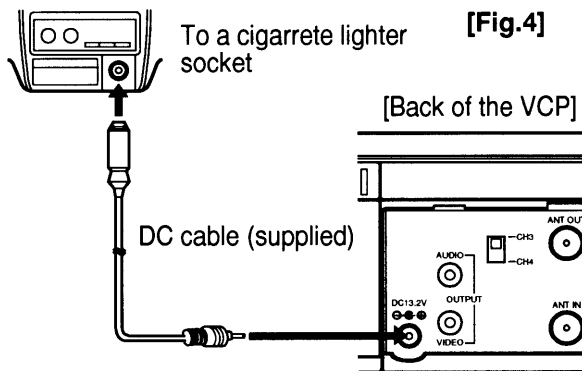
USING THE POWER CORD

Plug the power cord into a standard AC outlet.



USING THE DC CABLE

- 1) Connect one end of the DC cable to the DC13.2V connector on the back of the VCP.
- 2) Connect the other end of the DC cable to your vehicle's cigarette-lighter socket.



WARNING: Never watch the video program while driving.

CAUTION: After you finish using the VCP, unplug the DC cable from the cigarette-lighter socket.

NOTES:

- Be sure your vehicle has a 13.2-volt, negative-ground electrical system.
- Be sure you use only the supplied DC cable. Using another cord could damage the VCP.
- Be sure the socket is free of ashes and other debris.
- Be sure to push the DC cable's plug completely into the cigarette-lighter socket.
- Disconnect the DC cable from the cigarette-lighter socket first, before you unplug it from the VCP.
- You must disconnect the DC cable from the VCP before you can use AC power.
- Be sure to replace the fuse on the DC cable with only the same type, 5A, 250V.

VIDEO CASSETTE TAPE INFORMATION

This VCP will operate with any cassette that has the **VHS** mark. For best results, we recommend the use of high-quality tapes. Do not use poor quality or damaged tapes.

PRECAUTIONS

- Avoid moisture. Moisture condensation may occur on the tape if it is moved from a cold place to a warm place. Before using a tape with these conditions, to avoid damage of the tape and the VCP, wait until the tape has warmed to room temperature and the moisture has evaporated.
- Avoid extreme heat, high humidity and magnetic fields.
- Do not tamper with the cassette mechanism.
- Do not touch the tape with your fingers.

THREE DIFFERENT TAPE SPEEDS

Before recording, select the tape speed from : **SP mode** (Standard Play), **LP mode** (Long Play) or **SLP mode** (Super Long Play).

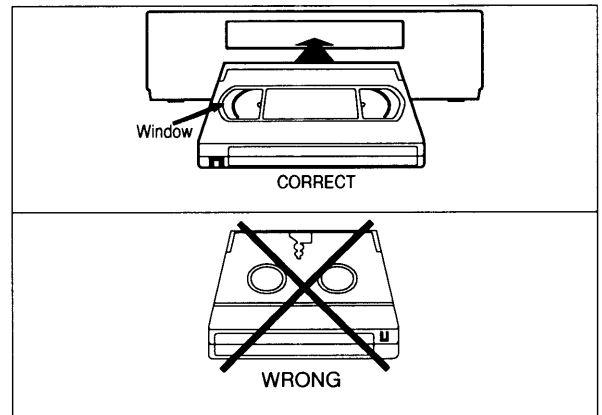
The table below shows the maximum recording/playback time using T60, T120 or T160 tapes in each mode.

Tape Speed	Recording/Playback Time			
	Type of tape	T60	T120	T160
SP mode		1 hour	2 hours	2-2/3 hours
LP mode		2 hours	4 hours	5-1/3 hours
SLP mode		3 hours	6 hours	8 hours

INSERTING A CASSETTE

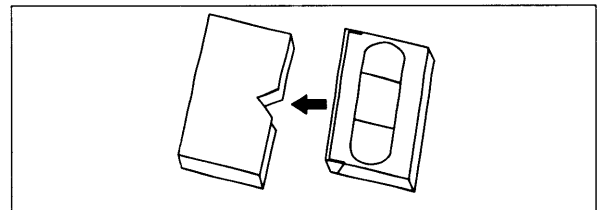
Insert the cassette in the direction as shown. Push gently, but continuously, on the center-back of the cassette until it is drawn into the VCP.

The VCP will automatically turn on.



REMOVING A CASSETTE

- 1) In the Stop mode, press the **EJECT** button on the remote control or press the **STOP/EJECT** button on the VCP. The cassette will be ejected.
- 2) Pull the cassette out of the cassette compartment.
- 3) Store the cassette in its case as shown.



PLAYBACK

NORMAL PLAYBACK

1 Turn on the TV

Turn on the TV and set the TV channel to 3 or 4. Now set the CH3/CH4 switch on the back of the VCP to match the channel selected on the TV.

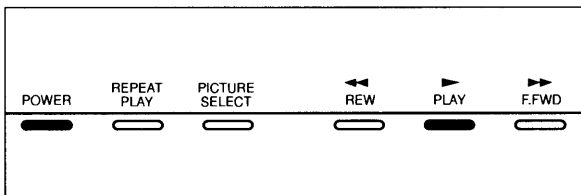
2 Insert a prerecorded tape

The VCP will automatically turn on and playback will start.

If playback does not start, press the **PLAY** button.

- If a tape is already in the VCP with power off

- **Using button on the VCP-** press the **PLAY** button on the VCP. Power will automatically turn on and playback will start (Direct Button Operation). The **POWER** indicator and the **PLAY** indicator light on.
- **Using the remote control-** press the **POWER** button to turn on the VCP, and then press the **PLAY** button on the remote control.



3 To stop playback

press the **STOP** button.

PICTURE SEARCH

This feature is very useful in finding or skipping over a particular scene on a tape. In this mode, the sound will be muted.

- 1) You may view a video tape at a high speed in either a forward or reverse direction by pressing the **F.FWD** or **REW** button. (in the SP/LP/SLP modes)
- 2) Press it again and the VCP will now search in super high speed. (in the LP / SLP modes only)
- 3) Press the **PLAY** button to return to normal speed.

STILL PICTURE

You can view a still picture on the screen during playback (the Still mode). Press the **STILL** button on the remote control during playback. Press the **PLAY** button to return to playback.

- Usually there will be video "noise" lines (black and white streaks or dots) on the screen. This is normal. If the tape was originally recorded in SP or LP mode, the still picture will, in addition to the "noise" lines, be black and white.

This is not a fault of the machine but merely a by-product of the technology involved in producing a 2 video head VCP.

- If it is left in the Still mode for more than five minutes, the VCP will automatically switch to the Stop mode.

NOISE CANCEL (in the Still mode)

This feature allows you to reposition or reduce the noise lines of a still picture.

Press the **STILL** button repeatedly so that the noise lines changes position on the screen and you can see the picture in its entirety without distracting noise lines.

NOTE: This feature can be activated **ONLY** when you use a tape recorded in the SLP mode.

VERTICAL HOLD CONTROL

When the picture begins to vibrate vertically, stabilize the picture by pressing the **TRACKING ▲** or **▼** button on the remote control in the Still mode.

NOTES:

- If there are video noise lines on the screen, reposition or reduce them. Refer to "NOISE CANCEL". (on page 12)
- If the picture is distorted or rolling vertically, adjust vertical hold control on your TV.
- Most newer TV's do not have a user adjustable vertical hold control.

TRACKING ADJUSTMENT

- Tracking adjustment will be set automatically (Digital Auto Tracking function) when you start playback.
- When playing pre-recorded tapes or tapes recorded on units other than your own, noise lines (black and white streaks) may appear on the playback picture. If this occurs, you can adjust the tracking control manually by pressing the **TRACKING ▲** or **▼** button on the remote control until the streaks disappear.

To return to the Digital Auto Tracking function, stop the tape once and start playback again.

AUTO REWIND

When the end of a tape is reached during playback or fast-forward, the tape will automatically rewind to the beginning. After rewinding finishes, the VCP will eject the tape and turn itself to off.

NOTE: This function is operative when Repeat Play is set to off.

SPECIAL PLAYBACK

REPEAT PLAY

The VCP has the auto repeat function that allows you to repeat a tape indefinitely without touching the PLAY button.

1 Turn on the TV

Turn on the TV and set the TV channel to 3 or 4. Now set the CH3/CH4 switch on the back of the VCP to match the channel selected on the TV.

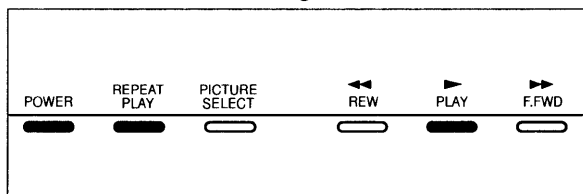
2 Insert a prerecorded tape

The VCP will automatically turn on and playback will start.

If playback does not start, press the **PLAY** button.

3 To set repeat play

Press the **REPEAT PLAY** button on the VCP so that the REPEAT PLAY indicator lights on.

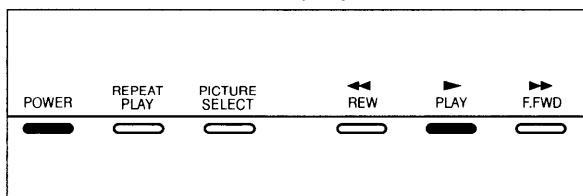


4 To stop playback

Press the **STOP** button.

5 To clear repeat play

Press the **REPEAT PLAY** button on the VCP so that the REPEAT PLAY indicator light goes off.



NOTE: Always turn the Repeat Play function to off when not in use.

PICTURE SELECT

This function enables you to improve the picture quality when playing back worn cassettes such as rented tapes.

1 Turn on the TV

Turn on the TV and set the TV channel to 3 or 4. Now set the CH3/CH4 switch on the back of the VCP to match the channel selected on the TV.

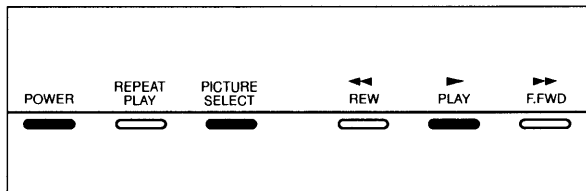
2 Insert a prerecorded tape

The VCP will automatically turn on and playback will start.

If playback does not start, press the **PLAY** button.

3 To set PICTURE SELECT

Press the **PICTURE SELECT** button on the VCP so that the PICTURE SELECT indicator lights on.



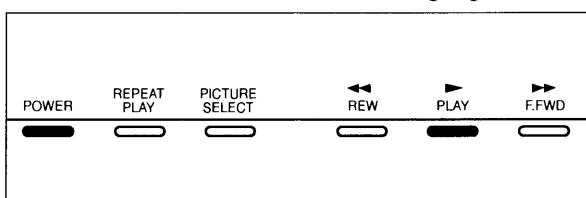
PICTURE SELECT indicator	Picture
Lights on	Sharp
Light off	Normal

4 To stop playback

Press the **STOP** button.

5 To clear repeat play

Press the **PICTURE SELECT** button on the VCP so that the PICTURE SELECT indicator light goes off.



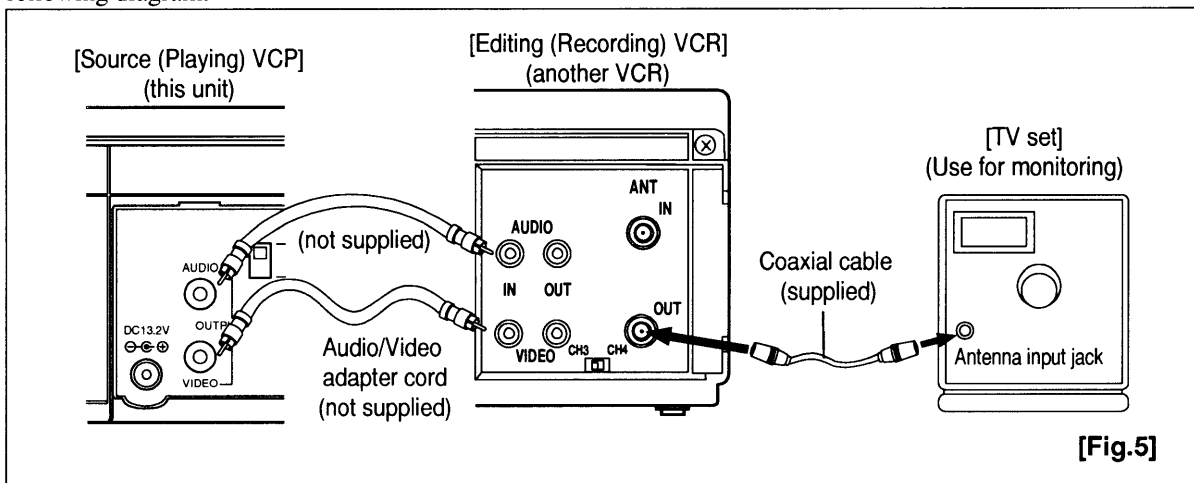
NOTE: Always turn the PICTURE SELECT function to off when not in use.

COPYING A VIDEO TAPE

You can make copies of video tapes made by friends or relatives for your enjoyment.

WARNING: Unauthorized recordings of copyrighted video tapes may be an infringement of copyright laws.

Connect the editing (recording) VCR (another VCR), source (playing) VCP (this unit) and your TV using the following diagram.



[Fig.5]

1

Insert a pre-recorded video cassette into the source(playing) VCP.

2

Insert a blank video cassette, or one you want to record over, into the editing(recording) VCR cassette compartment.

3

Press the TAPE SPEED button on the editing(recording) VCR to select the desired recording speed (SP/LP/SLP).

4

Press the RECORD button on the editing (recording) VCR.

5

Begin playback of the tape in the source(playing) VCP.

- For best results during dubbing, use the VCR's front panel controls whenever possible. The remote control might affect the playback VCP's operation.
- Always use video-quality shielded cables with RCA-type connectors. Standard audio cables are not recommended.

TO MONITOR THE RECORDING

- 1) Turn on the TV, and set it to the same output channel as the editing(recording) VCR channel 3 or 4.
- 2) Press the TV/VCR button on the editing(recording) VCR so that the VCR position is selected.

TROUBLESHOOTING GUIDE

If you have followed the instructions contained in this manual and have difficulty in operating your VCP, locate the **PROBLEM** in the left column below. Check the corresponding **CORRECTIVE ACTION** column to remedy the problem.

PROBLEM	CORRECTIVE ACTION
No power.	<ul style="list-style-type: none"> ● Make sure the AC cord is connected to an AC outlet. ● Make sure the DC cord is connected to a DC 13.2V cigarette lighter. Check the fuse on the DC cord. ● Make sure the power is turned on.
No picture or poor picture on playback.	<ul style="list-style-type: none"> ● Fine tune your TV.
Noise in picture on playback.	<ul style="list-style-type: none"> ● Head cleaning is necessary. Refer to "AUTO HEAD CLEANING" below.
Playback picture is partially noisy.	<ul style="list-style-type: none"> ● Adjust tracking control for a better picture using the TRACKING ▲ or ▼ button on the remote control.
The TV programmes cannot be seen.	<ul style="list-style-type: none"> ● Re-check the ANT-IN and ANT- OUT connections. ● Turn off the VCP.
No operation by infrared Remote Control.	<ul style="list-style-type: none"> ● Make sure the AC cord is connected to an AC outlet. ● Make sure the DC cord is connected to a DC 13.2V cigarette lighter. Check the fuse on the DC cord. ● Check batteries in remote control.
Power indicator flashes.	<ul style="list-style-type: none"> ● Refer to page 4 "DEW WARNING".

MAINTENANCE

SERVICING

Should your VCP become inoperative, do not try to correct the problem by yourself. There are no user-serviceable parts inside. Turn off, unplug the power cord, and please call our help line at 1-800-968-3429, to locate an Authorized Service Center.

CABINET CLEANING

- Wipe the front panel and other exterior surfaces of the VCP with a soft cloth immersed in lukewarm water and wrung dry.
- Never use a solvent or alcohol. Do not spray insecticide liquid near the VCP. Such chemicals may cause damage and discoloration to the exposed surfaces.

AUTO HEAD CLEANING

- Automatically cleans video heads as you insert or remove a cassette, so you can see a clear picture.
 - Playback picture may become blurred or interrupted while the TV program reception is clear. Dirt accumulated on the video heads after long periods of use, or the usage of rental or worn tapes can cause this problem. If a streaky or snowy picture appears during playback, the video heads in your VCP may need cleaning.
1. Please visit your local Audio/Video store and purchase a good quality VHS Video Head Cleaner.
 2. If a Video Head Cleaner does not solve the problem, please call our help line at 1-800-968-3429, to locate an Authorized Service Center.

NOTES:

- Remember to read the instructions included with the video head cleaner before use.
- Clean video heads only when problems occur.

SPECIFICATIONS

GENERAL SPECIFICATIONS

Television system :	NTSC, TV standard
Video heads :	Rotary two-head
Tape width :	1/2inch (12.65mm)
Tape speed	
SP :	33.35mm/sec.
LP :	16.67mm/sec.
SLP :	11.12mm/sec.
RF converter :	Built-in VHF converter
Converter output :	VHF Channel 3 or 4
Operating temperature :	5°C~40°C (41°F~104°F)
Terminals	
Antenna input :	F type connector × 1
Antenna output :	F type connector × 1
Video output :	RCA connector × 1
Audio output :	RCA connector × 1
DC input :	DC Power jack × 1

ELECTRICAL SPECIFICATIONS

Video output level :	1Vp-p
Video output impedance :	75Ω
Audio output level :	-6dBv (1KHz)
Video S/N ratio	
SP:	More than 45dB
Audio S/N ratio	
SP :	More than 40dB

OTHER SPECIFICATIONS

Power requirement :	AC 120V/60Hz DC 13.2V
Power consumption :	AC 9W DC 8W
Dimensions :	W 11" (280mm) H 3-5/8" (92mm) D 10-1/16" (255mm)
Weight :	5.1 lbs. (2.3 Kg.) (approx.)

- **Designs and specifications are subject to change without notice and without legal obligation.**
- **If there is a discrepancy between languages, the default language will be English.**

ADVERTENCIA:

PARA REDUCIR EL RIESGO DE INCENDIO O DE SHOCK ELÉCTRICO, NO EXPONGA ESTE ARTEFACTO A LA LLUVIA O LA HUMEDAD.



PRECAUCIÓN

RIESGO DE SHOCK ELECTRICO
NO ABRIR



PRECAUCIÓN: PARA REDUCIR EL RIESGO DE SHOCK ELÉCTRICO, NO quite la cubierta (o la tapa posterior). El aparato no tiene adentro piezas que puedan repararse. Deje la reparación al personal de servicio calificado.

La nota importante está colocada en la parte trasera del gabinete.



El símbolo del rayo con punta de flecha, en el interior de un triángulo equilátero, tiene la finalidad de avisar al usuario de la presencia de un "voltaje peligroso" sin aislar dentro de la caja del producto que podría ser de suficiente intensidad como para constituir un riesgo de descarga eléctrica para las personas.



El signo de exclamación dentro de un triángulo equilátero tiene la finalidad de avisar al usuario de la presencia de instrucciones de funcionamiento y mantenimiento (servicio) importantes en el material impreso que acompaña al producto.

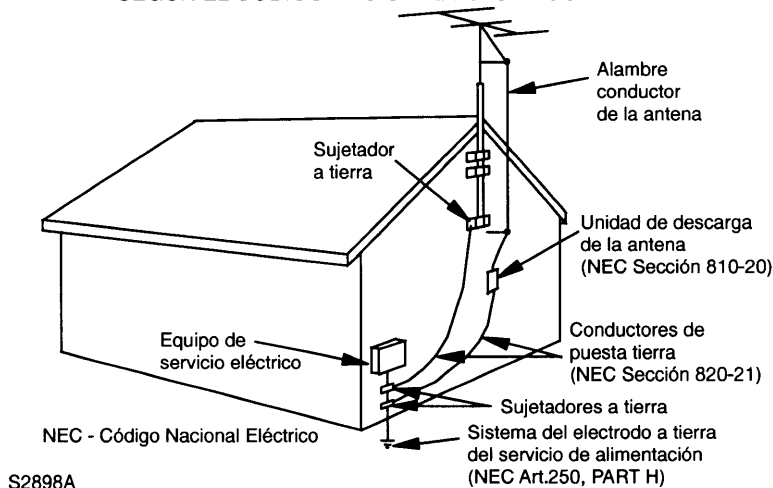
IMPORTANTE PARA SU SEGURIDAD

1. **Lea las instrucciones** -- Lea detenidamente todas las instrucciones de seguridad y operación antes de usar el aparato.
2. **Conserve las instrucciones** -- Conserve las instrucciones de seguridad y operación para consultas futuras.
3. **Respete las advertencias** -- Observe estrictamente todas las advertencias impresas en el aparato y las incluidas en el manual de instrucciones.
4. **Siga las instrucciones** -- Siga todas las instrucciones de operación.
5. **Limpieza** -- Desconecte el grabador de videocassettes del tomacorriente mural antes de limpiarlo. No use limpiadores líquidos ni aerosol. Use un paño húmedo para la limpieza del aparato.
EXCEPCION: Un producto diseñado para servicio ininterrumpido y que por alguna razón, como será la posibilidad de pérdida del código de autorización para un convertidor CATV, no debe ser desconectado por el usuario para limpieza u otro propósito, puede no incluir la advertencia en cuanto a no desconectar el aparato, en la descripción del procedimiento de limpieza (5).
6. **Enchufes** -- No use enchufes no recomendados por el fabricante del grabador de videocassettes, ya que podría ser peligroso.
7. **Agua y humedad** -- No use este grabador de videocassettes cerca del agua, por ejemplo, cerca de una bañera o lavamanos, cerca del fregadero de la cocina o lavandería, en un piso mojado, cerca de una piscina, etc.
ADVERTENCIA DE CARRETA PORTATIL (SIMBOLO PROPORCIONADO POR RETAC)
8. **Accesorios** -- No instale este grabador de videocassettes en un carro, soporte, trípode o mesa inestables. El grabador de videocassettes podría caerse, causando serias lesiones a un niño o adulto, resultando también severamente dañado. Uselo sólo en un carro, soporte, trípode o mesa recomendados por el fabricante, o vendidos con el grabador de videocassettes. Toda instalación del aparato deberán hacerse de acuerdo a las instrucciones del fabricante, empleando los accesorios de instalación recomendados por el mismo. La combinación de aparato y carro debe ser movida con cuidado. Las detenciones bruscas, la fuerza excesiva y las superficies disparejas podrán hacer que el aparato y el carro se vuelquen.
9. **Ventilación** -- El gabinete del aparato tiene ranuras y aberturas de ventilación que garantizan el funcionamiento confiable del grabador de videocassettes, evitando que se recaliente. Estas aberturas no deberán ser bloqueadas ni cubiertas. Para evitar bloquear las aberturas, nunca sitúe el grabador de videocassettes encima de una cama, sofá, alfombra u otra superficie similar. El grabador de videocassettes no debe ser instalado en un mueble empotrado, como una repisa para libros o bastidor, a menos que se pueda garantizar una ventilación adecuada, o cuando las instrucciones del fabricante así lo especifiquen.
10. **Alimentación** -- Este grabador de videocassettes sólo debe ser operado mediante el tipo de fuente de alimentación especificado en la etiqueta indicadora. Si no esta seguro del tipo de fuente de alimentación que tiene en su casa, consulte a su distribuidor o a la compañía de electricidad local. En el caso de grabadores de diseñados para funcionar a pilas o con otras fuentes de alimentación, consulte el manual de instrucciones respectivo.
11. **Conexión a tierra o polarización** -- Este grabador de videocassettes está equipado con una clavija polarizada de corriente alterna (una clavija que tiene una espiga más ancha que la otra). Esta clavija solamente podrá ser insertada en el tomacorriente en una sola dirección. Esta es una medida de seguridad. Si no pudiera insertar completamente la clavija en el tomacorriente, vuelva a intentarlo invirtiendo la clavija. Si aún no fuera posible insertar la clavija, tome contacto con un electricista para que repare su tomacorriente obsoleto. No modifique las características de seguridad de la clavija polarizada.
12. **Protección del cable de alimentación** -- Los cables de alimentación deberán ser tendidos de manera tal que la probabilidad de que sean pisados o aplastados por otros objetos sea mínima. Preste especial atención a las clavijas de los cables, a los receptáculos, y al punto por donde salen del aparato.



SS125A

FIGURA A
EJEMPLO DE CONEXION A TERRA DE LA ANTENA
SEGUN EL CODIGO NACIONAL ELECTRICO



13. **Conexión a tierra de la antena exterior** -- Si conecta una antena exterior o sistema de cable al grabador de videocassetes, asegúrese de conectar a tierra la antena o el sistema de cable para tener una cierta protección contra alzas repentinas de tensión y cargas de electricidad estática. El Artículo 810 del Código Nacional de Electricidad, ANSI/NFPA, núm. 70, entrega información acerca de la manera correcta de conectar a tierra el mástil y la estructura soportante, tamaño de los conductores de puesta a tierra, ubicación de la unidad de descarga de la antena, conexión a los electrodos de tierra, y requisitos para el electrodo de tierra. (Fig. A)
14. **Tormentas eléctricas** -- Como medida adicional de protección durante tormentas eléctricas, o cuando el grabador de videocassetes permanezca sin uso durante períodos prolongados de tiempo, desconéctelo del tomacorriente mural y desconecte la antena o sistema de cable. Esto evitará que el grabador de videocassetes resulte dañado por tormentas eléctricas o sobretensiones en la línea de alimentación.
15. **Líneas de alimentación** -- Un antena exterior no debe ser instalada en la cercanía de líneas de alimentación aéreas ni de otros circuitos de potencia para iluminación eléctrica, o donde pueda caerse y hacer contacto con tales líneas o circuitos. Al instalar un sistema de antena exterior, tenga mucho cuidado de no tocar tales líneas o circuitos de alimentación, ya que el contacto con ellos podría ser fatal.
16. **Sobrecarga** -- No sobrecargue los tomacorrientes murales ni los cables de extensión, ya que esto podría causar incendios o descargas eléctricas.
17. **Entrada de objetos y líquidos** -- Nunca introduzca objetos de ningún tipo por las aberturas de este grabador de videocassetes, ya que podría tocar peligrosos puntos de alta tensión o cortocircuitar partes, provocando incendios o descargas eléctricas. Nunca derrame ningún tipo de líquido sobre el grabador de videocassetes.
18. **Servicio** -- No intente reparar el grabador de videocassetes usted mismo; al abrir o desmontar las cubiertas usted se expondrá a alta tensión y a otros peligros. Solicite todo servicio a personal calificado.
19. **Daños que requieran reparación** -- En los siguientes casos, desconecte el grabador de videocassetes del tomacorriente mural y llame a un técnico de servicio calificado:
- Cuando el cable de alimentación o la clavija estén dañados.
 - Si se ha derramado líquido sobre la unidad, o si algún objeto ha caído dentro del grabador de videocassetes.
 - Si el grabador de videocassetes ha sido expuesto a la lluvia o al agua.
 - Cuando a pesar de haber seguido las instrucciones de operación, el grabador de videocassetes no funcione normalmente. Ajuste solamente los controles mencionados en el manual de instrucciones; el ajuste incorrecto de otros controles podrá causar daños a la unidad, la que por lo general requerirá de un prolongado trabajo de reparación (por un técnico calificado) para que sus condiciones normales de operación puedan ser restablecidas.
 - Si el grabador de videocassetes se ha caído o si el gabinete se ha dañado.
 - Cuando el grabador de videocassetes muestre un cambio notorio en su rendimiento.
20. **Piezas de repuesto** -- Cuando sea necesario reemplazar piezas, asegúrese de que el técnico de servicio emplee las piezas de repuesto especificadas por el fabricante, o piezas que tengan las mismas características que las piezas originales. Las sustituciones no autorizadas podrán causar incendios, descargas eléctricas y otros problemas.
21. **Revisión de seguridad** -- Al finalizar cualquier servicio de mantenimiento o reparación de este grabador de videocassetes, solicítele al técnico que efectúe comprobaciones de seguridad para determinar si el grabador de videocassetes se encuentra o no en condiciones óptimas de operación.
22. **Calor** -- Este producto vídeo debe colocarse fuera del alcance de fuentes de calor tales como radiadores, rejillas de calefacción, estufas o cualquier otro aparato destinado a producir calor, incluyendo los amplificadores.

INDICE

■ IMPORTANTE PARA SU SEGURIDAD	18	■ REPRODUCCION	23
■ PRECAUCIONES	21	REPRODUCCION NORMAL	23
UBICACION	21	BUSQUEDA DE IMAGEN	23
PARA EVITAR DESCARGAS ELECTRICAS E INCENDIOS	21	IMAGEN FIJA	23
ADVERTENCIA CONTRA LA CONDENSACION	21	CANCELACION DE RUIDOS (En el modo de imagen fija)	23
■ ACCESORIOS SUMINISTRADOS	21	CONTROL DE RETENCION VERTICAL	23
■ CONTROLES Y FUNCIONES	21	AJUSTE DEL SEGUIMIENTO	23
■ PREPARATIVOS PARA EL USO DE LA UNIDAD	22	REBOBINADO AUTOMATICO	24
CONEXION DE ANTENA/CABLES	22	■ REPRODUCCION ESPECIAL	24
PROGRAMACION DEL CANAL DE VIDEO	22	REPETICION DE REPRODUCCION	24
INSTALACION DE LAS PILAS	22	SELECTOR PARA CINTAS DE ALQUILER .	24
TERMINALES A/V	22	■ COPIADO DE UNA CINTA DE VIDEO	24
CABLE DE ALIMENTACION	22	■ GUIA PARA LA LOCALIZACION Y SOLUCION DE AVERIAS	25
■ INFORMACION ACERCA DE LOS VIDEOCASSETTES	23	■ MANTENIMIENTO	25

PRECAUCIONES

UBICACION

Para una operación segura y satisfactoria del reproductor de videocassettes, al seleccionar el lugar de instalación, tenga en cuenta lo siguiente:

- Proteja el equipo de la luz directa del sol, y manténgalo alejado de fuentes de calor intenso.
- Evite lugares polvorientos o húmedos.
- Evite lugares cuya ventilación sea insuficiente para la debida disipación del calor. No bloquee los orificios de ventilación de la parte superior e inferior del reproductor de videocassettes. No instale la unidad sobre una alfombra, pues los orificios de ventilación de la parte inferior quedarán obstruidos.
- Instale la unidad en posición horizontal.
- Evite los lugares que sean afectados por fuertes vibraciones.
- No instale el reproductor de videocassettes cerca de fuertes campos magnéticos.
- Evite trasladar el reproductor de videocassettes a lugares donde la diferencia de temperatura sea extrema.
- No coloque el reproductor de videocassettes directamente encima de la parte inferior de una televisión.

PARA EVITAR DESCARGAS ELECTRICAS E INCENDIOS

- No manipule el cable de alimentación con las manos mojadas.
- Si se derramara accidentalmente agua sobre el reproductor de videocassettes, desconecte inmediatamente el cable de alimentación y lleve la unidad a un centro de servicio autorizado Funai.
- No introduzca sus dedos ni otros objetos en el portacassette.
- No coloque nada directamente encima del reproductor de videocassettes.

ADVERTENCIA CONTRA LA CONDENSACION

Cuando la unidad sea trasladada desde un lugar frío a uno caluroso, al calentar una habitación fría, o bajo condiciones de alta humedad, en el interior de la unidad podrá producirse la condensación de humedad. En este caso, el indicador POWER parpadeará. No use el reproductor de videocassettes durante un mínimo de 2 horas hasta que se seque su interior.

ADVERTENCIA DE LA FCC- Este equipo puede generar o utilizar energía de radiofrecuencia. Los cambios o modificaciones del equipo pueden causar serias interferencias si dichos cambios o modificaciones no han sido expresamente aprobados en el manual de instrucciones. El usuario podrá perder la autoridad para operar este equipo si efectúa una modificación o cambio no autorizado.

PRECAUCIÓN: PARA IMPEDIR DESCARGAS ELÉCTRICAS, INTRODUZCA LA PATILLA ANCHA EN LA RANURA ANCHA E INSERTE A FONDO LA CLAVIJA.

INFORMACIÓN IMPORTANTE SOBRE DERECHOS DE AUTOR

La grabación no autorizada o el empleo de teledifusiones, cintas de video, películas u otro material con derechos de autor puede violar las leyes sobre derechos de autor. No asumimos ninguna responsabilidad por la duplicación ni empleo inadecuados ni otros actos que infringen los derechos de los propietarios de derechos de autor.

NOTA ACERCA DEL RECICLAJE

Los materiales del embalaje de este producto son reciclables y pueden volver a ser utilizados. Disponga de cualquiera ellos según las normas de reciclaje de su localidad.

Las pilas nunca deberán tirarse ni incinerarse sino que deberán tratarse según las normas locales relacionadas con desperdicios químicos.

El número de serie de este producto se encuentra en la parte posterior del reproductor de videocassettes. Ningún otro reproductor de videocassettes tiene el mismo número de serie que el suyo. Anote el número de serie y otra información vital aquí, y conserve este manual como un registro permanente de su compra, a fin de facilitar la identificación de la unidad en caso de robo. Los números de serie no se guardan en archivos.

Fecha de compra	
Distribuidor donde se compró	
Dirección del distribuidor	
N.º de teléfono del distribuidor	
N.º de modelo	
N.º de serie	

ACCESORIOS SUMINISTRADOS

Cable coaxial	WPZ0102LG006/ WPZ0102BB001
Unidad de control remoto	N9114UD
Pilas	AA x 2
Cable de CC	WX1H5048-001/ WXZ0202GA004

Si necesita sustituir estos accesorios, consulte el N.º DE PIEZA debajo de las ilustraciones y llame al 1-800-968-3429.

- No recomendamos usar unidades de control remoto universales. No todas las funciones pueden controlarse con una unidad de control remoto universal.

Si usted decide usar una unidad de control remoto universal con esta unidad, tenga en cuenta que los números de código indicados tal vez no puedan controlar esta unidad. En este caso, póngase en contacto con el fabricante de la unidad de control remoto universal.

CONTROLES Y FUNCIONES

NOTA: Algunos controles se encuentran en el reproductor de videocassettes y en la unidad de control remoto, pero no funcionan igualmente. Otros sólo se encuentran en uno de ellos. Consulte cada descripción para conocer detalles.

No recomendamos usar unidades de control remoto universales. No todas las funciones pueden controlarse con una unidad de control remoto universal.

Si usted decide usar una unidad de control remoto universal con esta unidad, tenga en cuenta que los números de código indicados tal vez no puedan controlar esta unidad. En este caso, póngase en contacto con el fabricante de la unidad de control remoto universal.

[Consulte las ilustraciones de las páginas 6 ~ 7.]

1. **Compartimiento del cassette**
2. **Botón de parada (STOP)** -Presione para detener la cinta.
Botón de expulsión (EJECT) -Presione para extraer la cinta del reproductor de videocassettes.
3. **Botón de avance rápido (F.FWD)** -Presione para avanzar la cinta o para ver la imagen a alta velocidad en avance durante el modo de reproducción. (Búsqueda en avance)
4. **Botón de reproducción (PLAY)** -Presione para iniciar la reproducción.

5. **Botón de rebobinado (REWIND)** -Presione para rebobinar la cinta o para ver la imagen a alta velocidad en retroceso durante el modo de reproducción. (Búsqueda en retroceso)
6. **INDICADORES**
 - **PLAY (reproducción)** -Se enciende durante la reproducción.
 - **F.FWD (avance rápido)** -Se enciende durante el avance rápido de una cinta.
 - **REW (rebobinado)** -Se enciende durante el rebobinado de una cinta.
 - **PICTURE SELECT (cintas alquiladas)** -Se enciende cuando se activa el selector PICTURE SELECT.
 - **REPEAT PLAY (repetición de reproducción)** -Se enciende cuando se activa la repetición de la reproducción.
 - **POWER (alimentación)** -Indica que la alimentación está conectada. Parpadea cuando se activa el sensor de condensación.
7. **Ventana sensora de la unidad de control remoto** -Recibe las señales infrarrojas procedentes de la unidad de control remoto.
8. **Botón selector para cintas de alquiler (PICTURE SELECT)** -Presione para mejorar la calidad de la imagen de reproducción de cintas de alquiler.
9. **Botón de repetición de reproducción (REPEAT PLAY)** -Presione para repetir la reproducción automáticamente.
10. **Botón de la alimentación (POWER)** -Presione para encender y apagar el reproductor de videocassetes.
11. **Botones de seguimiento (TRACKING)** -Presione para minimizar el ruido de video (líneas o puntos en la pantalla) durante la reproducción.
12. **Botón de pausa/imagen fija (STILL)** -Presione para ver una imagen fija durante la reproducción.
13. **Cable de alimentación** -Conéctelo a una toma de corriente alterna normal (120 V/60 Hz).
14. **Conector de CC (DC 13.2V)** -Conéctelo al receptáculo del encendedor de cigarrillos de su vehículo.
15. **Conector de salida de video (VIDEO OUTPUT)** -Conéctelo a una entrada de video de su televisión.
16. **Conector de salida de audio (AUDIO OUTPUT)** -Conéctelo a una entrada de audio de su televisión.
17. **Interruptor selector de canales CH3/CH4** -Uselo para seleccionar un canal de salida de video (3 ó 4) para la reproducción del reproductor de videocassetes.
18. **Terminal de entrada de antena (ANT IN)** -Conéctelo a una antena o convertidor CATV.
19. **Terminal de salida de antena (ANT OUT)** -Conéctelo al terminal de entrada de antena de su televisión.

PREPARATIVOS PARA EL USO DE LA UNIDAD

CONEXION DE ANTENA/CABLES

En las siguientes ilustraciones presentamos algunos de los tipos más comunes de conexión. Use una conexión solamente. Para conexiones más complejas, consulte a su distribuidor local o a otras personas calificadas. (Es probable que necesite otros accesorios no suministrados.)

- Desconecte la antena o el cable de la televisión.
- Conecte la antena o el cable al conector ANT.IN del reproductor de videocassetes.

Consulte la figura 1 de la página 8.

- Conecte un extremo del cable coaxial (suministrado) al conector ANT.OUT del reproductor de videocassetes.
- Conecte el otro extremo del cable coaxial (suministrado) al conector de antena UHF/VHF.

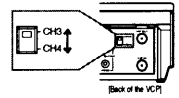
Consulte la figura 2 de la página 8.

Nota para la persona que instale el sistema CATV

Este recordatorio se agrega para llamar la atención de quien instale el sistema CATV, con respecto al Artículo 820-40 de la NEC que provee directivas guía para realizar una conexión adecuada a tierra y, en particular, especifica que el cable de puesta a tierra debe ser conectado al sistema de terminal a tierra del edificio lo más cercano al punto de entrada del cable como sea posible.

PROGRAMACION DEL CANAL DE VIDEO

Si su televisión no tiene terminales para las señales audiovisuales:

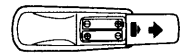


Cuando el reproductor de videocassetes esté en el modo de reproducción, su televisión recibirá las señales procedentes del reproductor de videocassetes en el canal 3 ó 4.

Para usar el reproductor de videocassetes con su televisión, ponga el interruptor selector en CH3 o CH4, el que no se use para las emisiones normales en su área. Luego programe ese mismo canal en su televisión. Panel trasero del reproductor de video cassetes.

INSTALACION DE LAS PILAS

- 1) Abra la tapa del compartimiento de las pilas presionando la tapa de la unidad de control remoto en la dirección de la flecha.
- 2) Inserte 2 pilas "AA" en el compartimiento de las pilas, en la dirección indicada por las marcas de polaridad (+/-).
- 3) Instale la tapa.



TERMINALES A/V

Si su televisión tiene conectores de entrada A/V, usted podrá conectar los conectores AUDIO/VIDEO OUTPUT del reproductor de videocassetes a los conectores de entrada de audio/video de la parte trasera de su televisión.

Las conexiones directas de audio/video suelen resultar en una mejor calidad de imagen y sonido para la reproducción de las cintas. Consulte el manual de su televisión para tener más detalles de las conexiones de entrada de audio/video.

Consulte la figura 3 de la página 9.

CABLE DE ALIMENTACION

UTILIZANDO EL CABLE DE ALIMENTACION

Enchufe el cable de alimentación en una toma de CA normal.

UTILIZANDO EL CABLE DE CC

- 1) Conecte un extremo del cable de CC al conector DC13,2V del lado trasero del reproductor de videocassetes.
- 2) Conecte el otro extremo del cable de CC al receptáculo del encendedor de cigarrillos de su vehículo.

Consulte la figura 4 de la página 10.

AVISO: Nunca vea un programa de video mientras conduzca.

PRECAUCION: Después de terminar de usar el reproductor de videocassetes, desenchufe el cable de CC del receptáculo del encendedor de cigarrillos.

NOTAS:

- Cerciórese de que su vehículo tenga un sistema eléctrico de 13,2 voltios con puesta a masa negativa.
- Cerciórese de usar el cable de CC suministrado. El uso de otro cable podría estropear el reproductor de videocassetes.

- Cerciórese de que el receptáculo no tenga ceniza ni otros restos de materiales.
- Cerciórese de enchufar completamente la clavija del cable de CC en el receptáculo del encendedor de cigarrillos.
- Desconecte primero el cable de CC del receptáculo del encendedor de cigarrillos antes de desconectarlo del reproductor de videocassettes.
- Tendrá que desconectar el cable de CC del reproductor de videocassettes antes de poder usar la CA.
- Cerciórese de reemplazar el fusible por otro del mismo tipo, 5 A, 250 V.
- Cerciórese de reemplazar el fusible del cable de CC por otro del mismo tipo, 5 A, 250 V.

INFORMACION ACERCA DE LOS VIDEOSCASSETTES

Este reproductor de videocassettes funciona con cualquier videocassette provisto de la marca **VHS**. Para obtener los mejores resultados, le recomendamos usar cintas de alta calidad. No use cintas dañadas o de mala calidad.

PRECAUCIONES

- Para evitar la condensación de humedad en la cinta, no traslade la cinta desde un lugar frío a uno cálido. Si se reproduce una cinta en la que se haya producido la condensación de humedad, tanto la cinta como el reproductor de videocassettes se estropearán. Antes de usar una cinta que esté en estas condiciones, espere hasta que la cinta adquiera la temperatura ambiente y la humedad se evapore.
- Evite el calor extremo, la alta humedad y los campos magnéticos.
- No manipule indebidamente el mecanismo del cassette.
- No toque la cinta con los dedos.

TRES VELOCIDADES DE CINTA DIFERENTES

Antes de grabar, seleccione la velocidad de cinta: **Modo SP** (reproducción estándar), **modo LP** (reproducción de larga duración) o **modo SLP** (reproducción de duración superlarga).

La tabla siguiente muestra el tiempo de grabación/reproducción usando una cinta T60, T120 ó T160 en cada uno de los modos.

INSERCIÓN DE UN CASSETTE

Inserte el cassette en la dirección mostrada en la ilustración. Presiónelo ligera, pero continuamente, en su parte posterior central hasta que sea insertado en el reproductor de videocassettes.

El reproductor de videocassettes se encenderá automáticamente.

REPRODUCCION

REPRODUCCION NORMAL

- 1) Encienda la televisión y programe el canal TV 3 ó 4.
Ahora ponga el conmutador CH3/CH4 del panel trasero del reproductor de videocassettes en la posición que concuerde con el canal seleccionado en la televisión.
 - 2) Inserte una cinta grabada. El reproductor de videocassettes se encenderá automáticamente y la reproducción empezará.
Presione el botón **PLAY** si no empieza la reproducción.
- Si ya hay una cinta en el reproductor de videocassettes con la alimentación desconectada
- **Usando el botón del reproductor de videocassettes** -Presione el botón **PLAY** del reproductor de videocassettes. La alimentación se conectará automáticamente y la reproducción empezará (operación directa por medio de botones). El indicador **POWER** y el indicador **PLAY** se encenderán.
 - **Usando la unidad de control remoto** -Presione el botón **POWER** para conectar la alimentación, y luego presione el botón **PLAY** de la unidad de control remoto.
- 3) Presione el botón **STOP**.

BUSQUEDA DE IMAGEN

Esta característica es útil para encontrar o saltar alguna escena particular de una cinta. En este modo, el sonido se silenciará.

- 1) Presionando el botón **F.FWD** o **REW** (en los modos SP/LP/SLP) podrá ver una cinta a alta velocidad en la dirección de avance o de retroceso.
- 2) Vuelva a presionar el botón y el reproductor de videocassettes buscará ahora a una velocidad superalta (en los modos LP/SLP solamente).
- 3) Presione el botón **PLAY** para volver a la velocidad normal.

IMAGEN FIJA

Presione el botón **STILL** de la unidad de control remoto durante la reproducción.

NOTAS:

- Por lo general habrá líneas de ruido de video (franjas o puntos negros y blancos) en la pantalla. Esto es normal. Si la cinta fue grabada originalmente en el modo SP o LP, la imagen fija, además de las líneas de ruido, aparecerá en blanco y negro. **Esto no es ningún fallo de la máquina, sino simplemente una consecuencia de la tecnología empleada en la producción de reproductores de videocassettes de 2 cabeza 5.**
- El reproductor de videocassettes cambiará automáticamente al modo de parada si el modo de imagen fija no se cambia durante más de cinco minutos.

CANCELACION DE RUIDOS (En el modo de imagen fija)

Esta característica le permite reposicionar o reducir las líneas de ruido de una imagen fija.

Presione repetidamente el botón **STILL** para que las líneas de ruido cambien de posición en la pantalla y usted pueda ver una imagen completa sin molestas líneas de ruido.

NOTA: Esta característica podrá activarse SOLAMENTE cuando use una cinta grabada en el modo SLP.

CONTROL DE RETENCION VERTICAL

Cuando la imagen empiece a vibrar verticalmente, estabilícela presionando el botón **TRACKING ▲** o **▼** de la unidad de control remoto en el modo de imagen fija.

NOTAS:

- Si hay líneas de ruido de video en la pantalla, reposiciónelas o redúzcalas. Consulte "CANCELACION DE RUIDOS".
- Si la imagen se distorsiona o se desplace verticalmente, ajuste el control de retención vertical de su televisión.
- La mayoría de los modelos más recientes de televisión no dispone de control de retención vertical que pueda ser ajustado por el usuario.

AJUSTE DEL SEGUIMIENTO

- El ajuste del seguimiento se activará automáticamente (función de seguimiento automático digital) al iniciar la reproducción.
- Cuando reproduzca cintas pregrabadas o cintas grabadas en unidades que no sean la suya podrán aparecer líneas de ruido (franjas blancas y negras) en la imagen de reproducción. Si pasa esto, usted podrá ajustar manualmente el seguimiento presionando el botón **TRACKING ▲** o **▼** de la unidad de control remoto hasta que desaparezcan las franjas.
Para volver a la función de seguimiento automático digital, pare una vez la cinta y vuelva a reproducirla.

REBOBINADO AUTOMATICO

Cuando se llegue al final de la cinta durante la reproducción o el avance rápido, la cinta se rebobinará automáticamente hasta el principio. Después, el reproductor de videocassetes expulsará la cinta y se apagará a sí mismo.

NOTA: Esta función se activa cuando la repetición de reproducción se encuentra desactivada.

REPRODUCCION ESPECIAL

REPETICION DE REPRODUCCION

El reproductor de videocassetes dispone de la función de repetición automática que le permite repetir una cinta por tiempo indefinido sin tener que presionar el botón **PLAY**.

- 1) Encienda la televisión y programe el canal TV 3 ó 4.
Ahora ponga el conmutador CH3/CH4 del panel trasero del reproductor de videocassetes en la posición que concuerde con el canal seleccionado en la televisión.
- 2) Inserte una cinta grabada. El reproductor de videocassetes se encenderá automáticamente y la reproducción empezará.
Presione el botón **PLAY** si no empieza la reproducción.
- 3) Presione el botón **REPEAT PLAY** del reproductor de videocassetes para que se encienda el indicador **REPEAT PLAY**.
- 4) Presione el botón **STOP**.
- 5) Presione el botón **REPEAT PLAY** del reproductor de videocassetes para que se apague el indicador **REPEAT PLAY**.

NOTA: Desactive siempre la función de repetición de reproducción cuando no lo use.

SELECTOR PARA CINTAS DE ALQUILER

Esta función le permite mejorar la calidad de la imagen cuando reproduzca cintas muy usadas como, por ejemplo, las alquiladas.

- 1) Encienda la televisión y programe el canal TV 3 ó 4.
Ahora ponga el conmutador CH3/CH4 del panel trasero del reproductor de videocassetes en la posición que concuerde con el canal seleccionado en la televisión.
- 2) Inserte una cinta grabada. El reproductor de videocassetes se encenderá automáticamente y la reproducción empezará.
Presione el botón **PLAY** si no empieza la reproducción.
- 3) Presione el botón **PICTURE SELECT** del reproductor de videocassetes para que se encienda el indicador **PICTURE SELECT**.

Indicador PICTURE SELECT	Imagen
Encendido	Nitidez
Apagado	Normal

- 4) Presione el botón **STOP**.
- 5) Presione el botón **PICTURE SELECT** del reproductor de videocassetes para que se apague el indicador **PICTURE SELECT**.

NOTA: Desactive siempre la función del selector para cintas de alquiler cuando no lo use.

COPIADO DE UNA CINTA DE VIDEO

Podrá hacer copias de cintas de video hechas por amigos o familiares para poder disfrutar de ellas.

ADVERTENCIA: La grabación sin autorización de cintas de video protegidas por derechos de autor pueden infringir las leyes relacionadas con tales derechos. Conecte la videogradora (otra videogradora) de edición (grabación), el reproductor de videocassetes (esta unidad) de fuente (reproducción) y su televisor utilizando el diagrama siguiente.

Consulte la figura 5 de la página 15.

- 1) Inserte una videocassette pregrabado en el reproductor de videocassetes de fuente (reproducción).
- 2) Inserte un videocassette virgen, o uno sobre el que desee grabar, en el compartimiento de la videogradora de edición (grabación).
- 3) Presione el botón **TAPE SPEED** de la videogradora de edición (grabación) para seleccionar la velocidad deseada (**SP/LP/SLP**).
- 4) Presione el botón **RECORD** de la videogradora de edición (grabación).
- 5) Inicie la reproducción de la cinta del reproductor de videocassetes de fuente (reproducción).
 - Para obtener los mejores resultados durante el copiado, utilice los controles del panel delantero de la videogradora siempre que sea posible. El mando a distancia pueda afectar a la operación de la videogradora de reproducción.
 - Utilice siempre cables blindados de video de alta calidad con conectores tipo RCA. Los cables audio estándar no son recomendados.

PARA MONITOREAR EL SONIDO

- 1) Encienda el televisor y ajústelo al mismo canal de video que el de la videogradora de edición (grabación) el 3 ó el 4.
- 2) Presione el botón **TV/VCR** de la videogradora de edición (grabación) para que seleccionar la posición **VCR**.

GUIA PARA LA LOCALIZACION Y SOLUCION DE AVERIAS

Si a pesar de haber seguido las instrucciones de este manual, usted tiene dificultades en operar su reproductor de videocassettes, localice el PROBLEMA en la columna de la izquierda de la tabla presentada a continuación. Para solucionar el problema, verifique la columna MEDIDA CORRECTIVA.

PROBLEMA	MEDIDA CORRECTIVA
La unidad no se enciende.	<ul style="list-style-type: none"> ● Asegúrese de que el cable de alimentación de CA esté conectado a un tomacorriente de CA. ● Asegúrese de que el cable de alimentación de CC esté conectado al receptáculo de un encendedor de cigarrillos de 13,2 V CC. Compruebe el fusible del cable de alimentación de CC. ● Asegúrese de que la alimentación esté conectada.
No hay imagen o ésta es de mala calidad durante la reproducción.	<ul style="list-style-type: none"> ● Sintonice con precisión su televisión.
Ruido en la imagen de reproducción.	<ul style="list-style-type: none"> ● Es necesario limpiar las cabezas. Consulte "LIMPIEZA AUTOMÁTICA DE LAS CABEZAS" abajo.
La imagen de reproducción aparece parcialmente ruidosa.	<ul style="list-style-type: none"> ● Ajuste el control de seguimiento par obtener una mejor imagen utilizando el botón TRACKING ▲o ▼ de la unidad de control remoto.
No se pueden ver los programas de televisión.	<ul style="list-style-type: none"> ● Vuelva a comprobar las conexiones ANT-IN o ANT-OUT. ● Desconecte la alimentación del reproductor de videocas
El equipo no responde a la unidad de control remoto	<ul style="list-style-type: none"> ● Asegúrese de que el cable de alimentación de CA esté conectado a un tomacorriente de CA. ● Asegúrese de que el cable de alimentación de CC esté conectado al receptáculo de un encendedor de cigarrillos de 13,2 V CC. Compruebe el fusible del cable de alimentación de CC. ● Revise las pilas de la unidad de control remoto.
El indicador de la alimentación parpadea.	<ul style="list-style-type: none"> ● Consulte la página 21 "ADVERTENCIA CONTRA LA CONDENSACION".

MANTENIMIENTO

SERVICIO

Si su reproductor de videocassettes deja de funcionar, no intente corregir el problema usted mismo. La unidad no tiene en su interior piezas que puedan ser reparadas por el usuario. Apague la unidad, desenchufe el cable de alimentación y llame nuestra línea de ayuda al 1-800-968-3429 para localizar un centro de servicio autorizado.

LIMPIEZA DE LA CAJA

- Limpie el panel delantero y demás superficies externas del reproductor de videocassettes con un paño suave humedecido en agua tibia y bien escurrido.
- Nunca use disolventes o alcohol. No rocíe líquido insecticida cerca del reproductor de videocassettes. Este tipo de sustancias químicas podrá estropear y decolorar las superficies expuestas.

LIMPIEZA AUTOMATICA DE LAS CABEZAS

- Las cabezas de vídeo se limpian automáticamente al insertar o extraer la cinta, para poder ver siempre la imagen con claridad.
- La imagen de reproducción podrá tornarse borrosa o presentar interrupciones, aun cuando el programa de la televisión esté siendo recibido con claridad. La suciedad acumulada en las cabezas tras un uso prolongado o el uso de cintas de alquiler o cintas viejas causan este problema.

Si la imagen aparece con el efecto de nieve o rayas durante la reproducción, las cabezas de vídeo de su reproductor de videocassettes tal vez necesita ser limpiadas.

1. Diríjase a su tienda local de productos de audio y vídeo y adquiera un limpiador de cabezas de vídeo VHS de buena calidad.
2. Si el limpiador de cabezas de vídeo no resuelve el problema, llame nuestra línea de ayuda al 1-800-968-3429 para localizar un centro de servicio autorizado.

NOTAS:

- Recuerde leer las instrucciones suministradas con el limpiador de cabezas de vídeo antes de usarlo.
- Limpie las cabezas de vídeo únicamente cuando surjan problems.
- Diseños y especificaciones están sujetos a cambios sin previo aviso y sin obligación legal de nuestra parte.
- Si hay cualquiera diferencia entre los idiomas, el idioma implícito es inglés.

MEMO

MEMO

FUNAI CORPORATION

LIMITED WARRANTY

Funai Corporation will exchange or repair this product, at its option, in the event of defect in materials or workmanship as follows:

EXCHANGE DURATION:

1-90 DAYS: FUNAI CORPORATION will exchange for a new unit without charge for a period of ninety (90) days from the date of original retail purchase.

91-365 DAYS: FUNAI CORPORATION will exchange for a factory-service-to-new-condition unit for a charge of \$49.00 for the period of ninety one (91) days to three hundred sixty five (365) days from the date of original retail purchase.

REPAIR DURATION:

LABOR: FUNAI CORPORATION will provide the labor without charge for a period of ninety (90) days from the date of original retail purchase.

PARTS: FUNAI CORPORATION will provide parts to replace defective parts without charge for a period of one (1) year from the date of original retail purchase. Two (2) years for Picture Tube. Certain parts are excluded from this warranty.

LIMITS AND EXCLUSIONS:

This warranty is extended only to the original retail purchaser. A purchase receipt or other proof of original retail purchase will be required together with the product to obtain exchange or service under this warranty.

This warranty shall not be extended to any other person or transferee.

This warranty is void and of no effect if any serial numbers on the product are altered, replaced, defaced or missing. This FUNAI CORPORATION Limited warranty applies only to product purchased and used in the United States.

This warranty only covers failures due to defects in material or workmanship, which occur during normal use. It does not cover damage which occurs in shipment, or failures which are caused by repairs, alterations, or parts not supplied by FUNAI CORPORATION, or damage which results from accident, misuse, abuse, mishandling, misapplication, alteration, faulty installation, improper maintenance, commercial use such as hotel, rental or office use of this product, or damage which results from fire, flood, lightning or other acts of God.

THIS WARRANTY DOES NOT COVER PACKING MATERIALS, ANY ACCESSORIES (EXCEPT REMOTE CONTROL UNITS), ANY COSMETIC PARTS, COMPLETE ASSEMBLY PARTS, DEMONSTRATION OR FLOOR MODELS.

FUNAI CORPORATION AND ITS REPRESENTATIVES OR AGENTS SHALL IN NO EVENT BE LIABLE FOR ANY GENERAL, INDIRECT OR CONSEQUENTIAL DAMAGES ARISING OUT OF OR OCCASIONED BY THE USE OF OR THE INABILITY TO USE THIS PRODUCT. THIS WARRANTY IS MADE IN LIEU OF ALL OTHER WARRANTIES INCLUDING THE WARRANTY OF MERCHANT ABILITY, AND FITNESS FOR A PARTICULAR PURPOSE, THAT ARE HEREBY DISCLAIMED BY FUNAI CORPORATION AND ITS REPRESENTATIVES OR AGENTS IN THE UNITED STATES.

ALL WARRANTY INSPECTIONS AND REPAIRS MUST BE PERFORMED BY A FUNAI AUTHORIZED CENTER. THIS WARRANTY IS VALID WHEN THE PRODUCT IS DELIVERED PREPAID TO A FUNAI AUTHORIZED SERVICE FACILITY.

PRIOR TO RETURNING THIS PRODUCT TO THE FACTORY SERVICE CENTER FOR REPAIR, CONTACT THE FUNAI SERVICE DEPARTMENT TO RECEIVE A RETURN FOR REPAIR AUTHORIZATION. ANY POSTAGE, INSURANCE, AND SHIPPING COSTS INCURRED IN PRESENTING PRODUCT FOR REPAIR ARE THE SHIPPER'S RESPONSIBILITIES.

CAREFULLY PACK WITH PROPER PACKING MATERIALS, PREFERABLY IN THE ORIGINAL CARTON OR PACKING MATERIALS AND CARTON OBTAINED FROM FUNAI CORPORATION.

ENCLOSE WRITTEN DOCUMENTATION DETAILING THE COMPLAINT. PLACE INSIDE THE CARTON OR IN A PACKING SLIP ENVELOPE ON THE OUTSIDE OF THE CARTON.

A COPY OF THE ORIGINAL RETAIL PURCHASE RECEIPT MUST ACCOMPANY THE PRODUCT. IF NO PROOF OF PURCHASE IS INCLUDED, THE WARRANTY WILL NOT BE HONORED.

IMPORTANT:

THIS LIMITED WARRANTY GIVES YOU SPECIFIC LEGAL RIGHTS, YOU MAY HAVE OTHER RIGHTS THAT VARY FROM STATE TO STATE, IF AT ANY TIME DURING THE WARRANTY PERIOD YOU ARE UNABLE TO OBTAIN SATISFACTION WITH THE EXCHANGE OR REPAIR OF THIS PRODUCT, PLEASE CONTACT FUNAI CORPORATION.

ATTENTION:

FUNAI CORPORATION RESERVES THE RIGHT TO MODIFY ANY DESIGN OF THIS PRODUCT WITHOUT PRIOR NOTICE. For information about your product, or for information on how to exchange or repair your product, telephone or write to the following:

FUNAI CORPORATION
Customer Service
100 North Street; Teterboro, NJ 07608
Telephone (800)968-3429